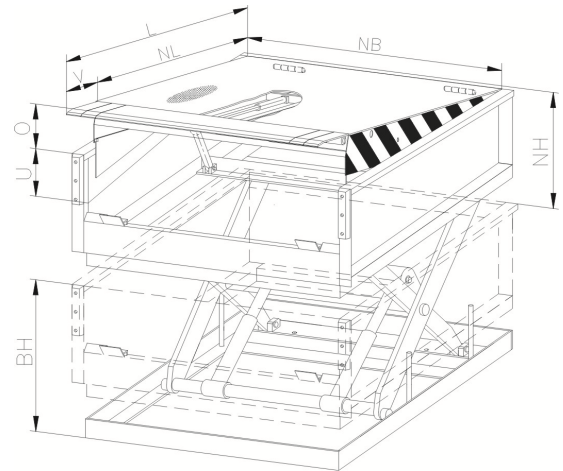


Hydraulic Lift-Leveller Combination • Model: G 4900

NB Nominal width leveller
 NL Nominal length leveller
 NH Nominal lifting height comb.
 V Telescopic lip extended 500/1000 mm
 L Total length
 O Service range up
 U Service range down
 BH Closed height



NB (mm)	NL (mm)	NH (mm)	O (mm)	U (mm)	BH (mm)	Model Number
1750	2000	1400	375	450	1120	4900.21
1750	2500	1600	420	450	1120	4900.22
1750	3000	1600	485	450	1220	4900.23
2000	2000	1400	375	450	1120	4900.31
2000	2500	1600	420	450	1120	4900.32
2000	3000	1600	485	450	1220	4900.33
2250	2000	1400	375	450	1120	4900.41
2250	2500	1600	420	450	1120	4900.42
2250	3000	1600	485	450	1220	4900.43
2400	2000	1400	375	450	1120	4900.51
2400	2500	1600	420	450	1120	4900.52
2400	3000	1600	485	450	1220	4900.53

Capacity 10-100 kN

Standard Features:

- Compliant with EN 1398, EN 1570, BGG 945 and BGR 233
- Anti-slip deck plate, tread plate
- Maintenance support below platform
- Hydraulic aggregate mounted below platform
- Micro-processor controls
- 400/230V, 24V secondary voltage, DC
- Automatic stop after power failure or emergency stop
- 6 Push button combination operation with automatic return
- Photocell monitored operation
- Support legs to support the platform in rest position
- Steel construction painted RAL 7016
- Yellow/black safety warning stripes

Options:

- Handrails, bolted on platform
- Handrails with socket joint
- Portalrails travelling with platform
- Front safety, PVC roller curtain
- Front safety, mesh curtain
- RAL colour of choice
- Zinc-plated finish
- Weatherseals
- Safety edge to all sides

Other options available on request

Specifications subject to change without notice.

Project-related information: