

# GUARDRITE® STRAP

## BARRIER SYSTEM

### Separates and defines

- ▶ Interiors of loading docks
- ▶ Long walkways
- ▶ Large work areas

### Modular design

- ▶ Easy to install
- ▶ Spans up to 18300 mm

### Solid performance

- ▶ Double posts and straps stop a 4500 kg (45 kN) fork-lift truck at 6.5 kilometer per hour (see deflection chart on back)
- ▶ Steel posts provide solid support
- ▶ 152 mm wide yellow restraining straps provide excellent visibility
- ▶ Absorbs impacts without strap damage
- ▶ Straps can be easily retensioned and may be removed for unobstructed access

### Light-duty design

- ▶ Single posts
- ▶ Pedestrian barrier only

### Storage system

- ▶ Simple, manual operation keeps straps neatly organized when access is needed

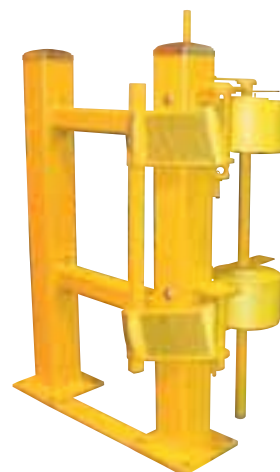
### Best in class

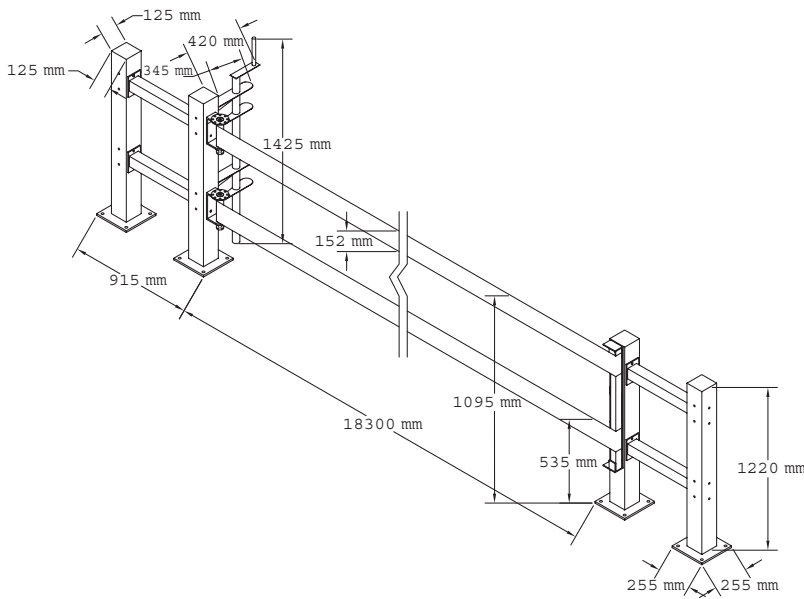
- ▶ Highest value for many difficult applications
- ▶ Unique solution for area protection problems



## KEEP PEOPLE AND EQUIPMENT OUT OF HARM'S WAY

An economical, effective visual and physical barrier, the GuardRite Strap Barrier System is a unique way to protect large work areas or long walkways in your facility. Consider the Strap for areas that are currently designated by only a yellow painted line.





## Single posts

- ▶ 1220 mm tall by 125 mm x 125 mm x 4.8 mm thick steel
- ▶ Yellow powder-coat paint
- ▶ 255 mm x 255 mm x 13 mm steel base plate
- ▶ Four 19 mm x 135 mm anchors per post provided

## Reinforcement posts

- ▶ Single posts same as above, plus two connecting, bolt-together 75 mm x 75 mm x 535 mm steel arms with hardware

## Double-strap restraining kit

- ▶ Two 152 mm wide yellow nylon restraining straps
- ▶ Two tensioner assemblies with hardware
- ▶ Latch bar and latch bracket with hardware
- ▶ Available in increments of 3050 mm for openings from 3050 mm up to 18300 mm

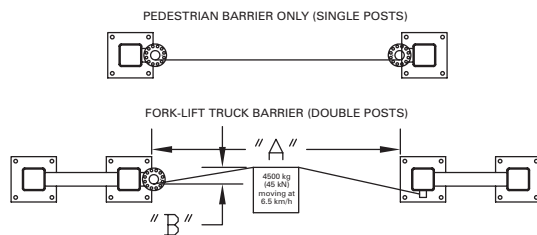
## Single-strap restraining kit

- ▶ One 152 mm wide yellow nylon restraining strap
- ▶ Two tensioner assemblies with hardware
- ▶ Available in increments of 3050 mm for openings from 3050 mm up to 18300 mm

## Storage system

- ▶ 25 mm round x 200 mm high handle
- ▶ 3.2 mm thick steel support brackets
- ▶ 345 mm projection by 1425 mm high

**IMPORTANT!** Restraining straps will deflect when loaded. Use care when determining mounting location near equipment or change in elevation. Please see chart to allow for the proper deflection distances.



GuardRite Strap Double-Post Deflection Reference Chart

Length A	Deflection B	Length A	Deflection B
3050 mm	510 mm	12200 mm	1270 mm
6100 mm	815 mm	15250 mm	1650 mm
9150 mm	1070 mm	18300 mm	2135 mm

## Alternative Protection for Other Areas of Your Plant



GuardRite LightDuty Protection System – unique and costeffective.



GuardRite Steel Railing Protection System – for heavy-duty applications.

**CAEMA**  
**RITE-HITE**

CAEMA Verladessysteme GmbH  
Carl-Zeiss-Strasse 3  
34471 Volkmarsen  
Germany  
Tel. +49 (0) 5693 9870-0  
Fax +49 (0) 5693 987020

[www.caema-ritehite.com](http://www.caema-ritehite.com)

C14GRSTPSS807A

**RITE-HITE**

Rite-Hite Corporation  
8900 North Arbon Drive  
Milwaukee, WI 53223  
USA  
Tel. +1 (414) 355 2600  
Fax +1 (414) 355 9248

[www.ritehite.com](http://www.ritehite.com)

**CALJAN**  
**RITE-HITE**

Caljan Rite-Hite ApS  
Ved Milepaelen 6-8  
8361 Hasselager  
Denmark  
Tel. +45 8738 7800  
Fax +45 8738 7801

[www.caljanritehite.com](http://www.caljanritehite.com)